

Raceway  
Metal Raceway  
HBL6750 Series 3-Gang Plate

# HUBBELL

### Features

- One Opening for 2-Gang Commercial Device Plate, One Blank
- Use with commercially available 2-gang flush plates.
- See page R-45 for plate options.

### Ordering Information

Description	Material	UPC Number	Catalog Number
3-Gang Plate	Steel	783585218144	HBL6747C2IV

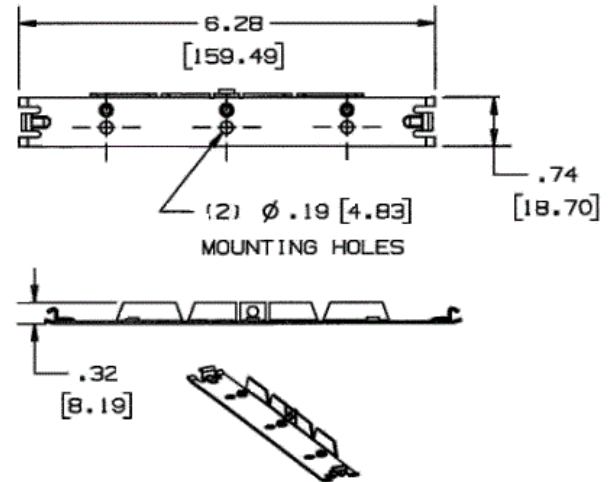
**Color**  
Ivory

### Listings

UL Listed  
CSA Certified

### Specifications

Height	6.75"
Width	5.43"
Length	0.2"



### Online Resources

Customer Use Drawing  
eCatalog  
Installation Instructions

Dimensions in Inches (mm)

Hubbell Wiring Device-Kellems • Hubbell Incorporated (Delaware) • 40 Waterview Drive • Shelton, CT 06484

Phone (800) 288-6000 • Fax (800) 255-1031 • Specifications subject to change without notice.

