

Raceway
Metal Raceway
HBL6750 Series 3-Gang Plate

HUBBELL

Features

- One Single Round Opening, Two Blanks
- For single receptacle with face diameter of 1.56 in. to 1.58 in. (39.62 to 40.13).
- Includes Mounting Bracket

Ordering Information

Description	Material	UPC Number	Catalog Number
3-Gang Plate	Steel	783585218168	HBL6747JXXIV

Color

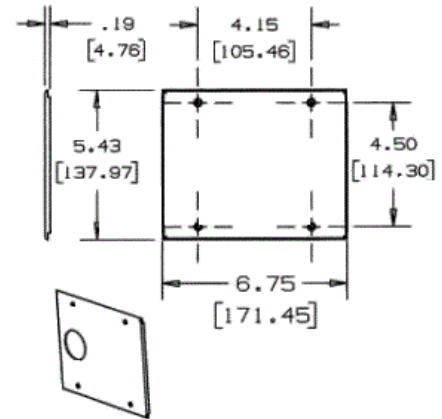
Ivory

Listings

UL Listed
CSA Certified

Specifications

Height	6.75"
Width	5.43"
Length	0.2"



Online Resources

Customer Use Drawing
eCatalog
Installation Instructions

Dimensions in Inches (mm)

Hubbell Wiring Device-Kellems • Hubbell Incorporated (Delaware) • 40 Waterview Drive • Shelton, CT 06484

Phone (800) 288-6000 • Fax (800) 255-1031 • Specifications subject to change without notice.

