

Watertight Devices

Accessories

Weather Protective Lift Cover

Features

- Impact resistant PBT cover plate
- Stainless steel hinge spring and pin
- Thermoplastic elastomer seal

Ordering Information

Description	Device Color	UPC	Catalog Number
Lift cover assembly; for use with locking 30A receptacles	Black	783585511337	HBL6800BK

Listings

Listed to UL514D / UL50E
Certified to CSA C22.2 No. 42
Meets NEMA WD-1, WD-6 and ANSI standards

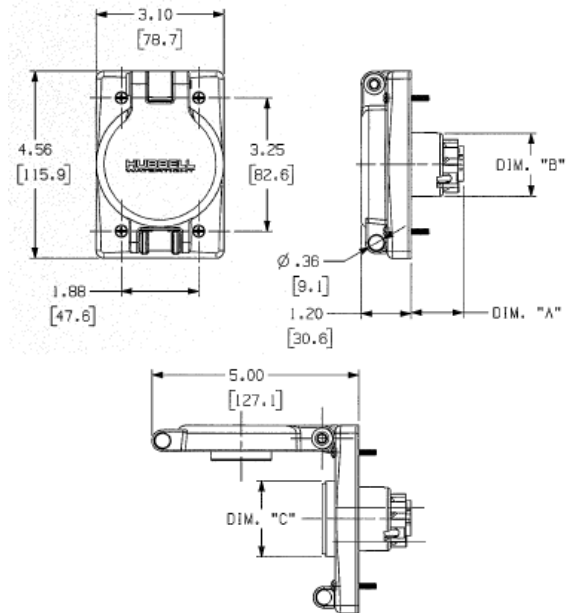
Specifications

Flip Lid and Cover Plate	PBT
Sealing Collar	TPE
Mounting Plate	Stainless Steel
Spring and Hinge Pin	Stainless steel
Mounting Screws	Stainless Steel

Performance

Environmental	
Flammability	UL94 V-0
Moisture Resistance	UL Listed 3R, 3RX, 4X, 12
Operating temperatures	-40°C (without impact) to +60°C continuous
UV resistance	All exposed materials are UV stabilized

HUBBELL



Online Resources

[eCatalog](#)

Dimensions in Inches (mm)

Hubbell Wiring Device-Kellems • Hubbell Incorporated (Delaware) • 40 Waterview Drive • Shelton, CT 06484

Phone (800) 288-6000 • Fax (800) 255-1031 • Specifications subject to change without notice.

