

Straight Blade Devices  
 20A, 125/250V, 3 Pole, 3 Wire Non-Grounding  
 Single Receptacle

# HUBBELL

## Features

- Classic design

## Ordering Information

Description	Device Color	UPC	Catalog Number
Phenolic	Black	783585014401	HBL6810

## Listings

UL Listed to UL498 File E1706  
 CSA Certified to C22.2 No. 42 File 280C  
 NEMA® WD-6 Compliant

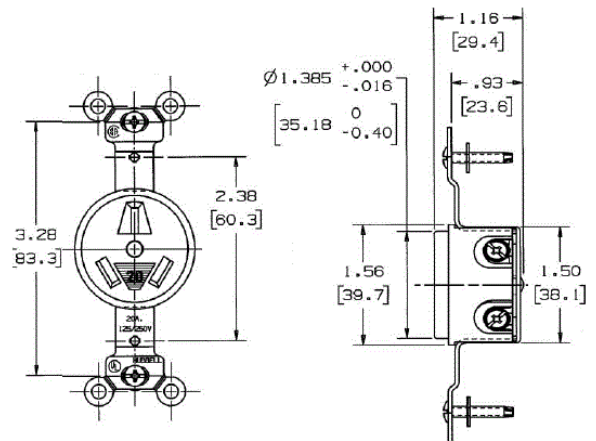


## Specifications

Body	Phenolic
Contacts	Brass
Grounding Clip	Stainless steel
Mounting Strap	Cold rolled steel
Terminal Screws	Brass
Mounting Screws	Galvanized steel

## Performance

<b>Electrical</b>	
Current Interrupting	Certified for current interrupting at full rated current
Dielectric Voltage	Withstands 2,000V minimum
<b>Mechanical</b>	
Cord Accomodation	.310"-.430"(7.9-11.9)
Terminal Accommodation	#14-#10 AWG copper stranded or solid conductor only
Terminal Identification	Terminals identified in accordance with UL 498 and CSA
<b>Environmental</b>	
Flammability	UL 94 V-1 or better
IP Suitability	IP20
Operating Temperatures	Maximum continuous 75°C; minimum -40°C (w/o impact)



## Accessories

Wallplate or Weatherproof Cover 1.40" Opening

## Resources

Customer Use Drawing  
 eCatalog

Dimensions in Inches (mm)

Hubbell Wiring Device-Kellems • Hubbell Incorporated (Delaware) • 40 Waterview Drive • Shelton, CT 06484

Phone (800) 288-6000 • Fax (800) 255-1031 • Specifications subject to change without notice.

