

Wallplates
Weatherproof Covers for Receptacles

HUBBELL

For FS/FD Box Mounting

Features

- For use with 30A, 4 wire Hubbellock receptacles

Ordering Information

Description	Color	Catalog Number	UPC
For use with 30A, 4 wire Hubbellock® receptacles, suitable for wet and damp	Red	HBL7428WOR	783585809939

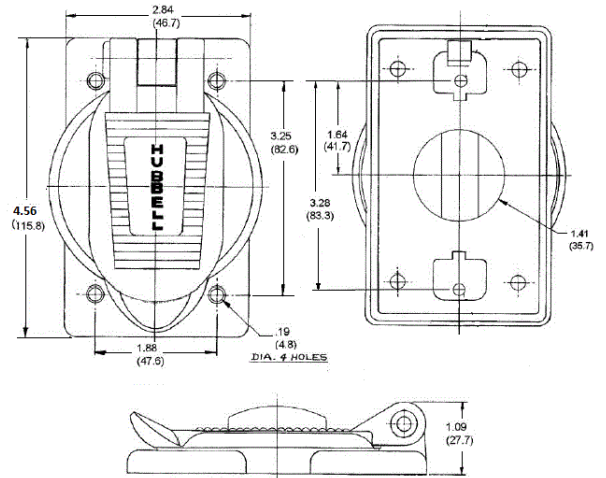


Listings

UL Listed - Canadian and U.S.

Specifications

Material	Thermoplastic
Cover Gasket	Neoprene
Spring	Stainless steel
Hinge Pin	Stainless steel



Online Resources

Customer Use Drawing

eCatalog

Installation Instructions

Dimensions in Inches (mm)

Hubbell Wiring Device-Kellems • Hubbell Incorporated (Delaware) • 40 Waterview Drive • Shelton, CT 06484

Phone (800) 288-6000 • Fax (800) 255-1031 • Specifications subject to change without notice.

