

Midget Twist-Lock® Devices
 15A, 125/250V AC, 3 Pole, 3 Wire
 Non-Grounding
 Flanged Receptacle

HUBBELL



15A 125/250V
 NEMA ML-3R



Features

- Fully Insulated nylon casing with integral flange
- Black color blends in with equipment

Ordering Information

Description	Terminals	UPC	Catalog Number
Black nylon flanged receptacle.	Exposed	783585237473	HBL7487N

Listings

Listed to UL 498
 Certified to CSA C22.2 No.42

Specifications

Flange	Nylon
Base	Nylon
Blades	Bronze
Terminal Screws	#5-40 Brass

Performance

Electrical

Current Interrupting Certified for current interrupting at full rated current
 Dielectric Voltage Withstands 2,000V minimum

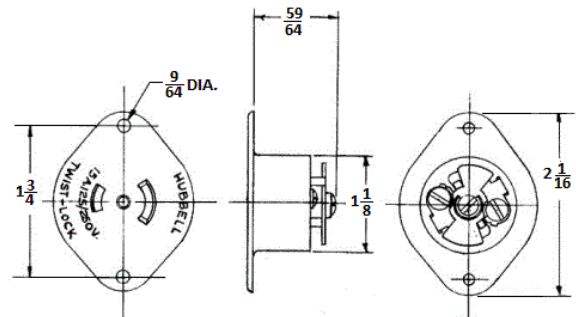
Mechanical

Terminal Accommodation #18 AWG - #14 AWG solid or stranded copper wire only.

Terminal Identification Terminals identified in accordance with UL 498

Environmental

Flammability HB or better per UL94/CSA 22.2 No.0.17
 Moisture Resistance IP20 Suitability
 Operating Temperatures Maximum Continuous 75°C; Minimum -40°C (w/o impact)



Accessories

Valise® Plug	HBL7485V
Plug	HBL7485
Angled Plug	HBL7432

Resources

Customer Use Drawing
 eCatalog

Dimensions in Inches (mm)

Hubbell Wiring Device-Kellems • Hubbell Incorporated (Delaware) • 40 Waterview Drive • Shelton, CT 06484

Phone (800) 288-6000 • Fax (800) 255-1031 • Specifications subject to change without notice.

