

# Twist-Lock® Devices 15A, 125V, 2 Pole, 2 Wire Non-Grounding Receptacle

# HUBBELL

## Features

- Thermoset construction offers high heat resistance
- High performance copper alloy contacts
- Corrosion resistant zinc plated steel one-piece mounting strap

## Ordering Information

Description	Device Color	UPC	Catalog Number
Panel mount single, black phenolic.	Black	783585237534	HBL7498

## Listings

Listed to UL 498  
Certified to CSA C22.2 No.42

## Specifications

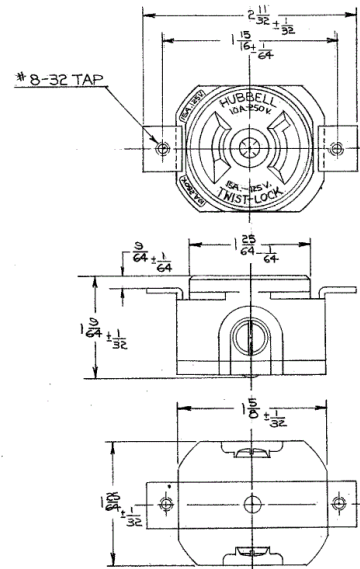
Housing	Molded Thermoset
Contacts	Brass
Terminal Screws	Brass
Mounting Screw	Steel-zinc-plated

## Performance

<b>Electrical</b>	
Current Interrupting	Certified for current interrupting at full rated current
Dielectric Voltage	Withstands 2,000V minimum
<b>Mechanical</b>	
Terminal Accommodation	#18 AWG-#12 AWG solid or stranded copper wire only
Terminal Identification	Terminals identified in accordance with UL 498
<b>Environmental</b>	
Flammability	HB or better per UL94/CSA 22.2 No.0.17
Operating Temperatures	Maximum Continuous 75°C Minimum -40°C (w/o impact)



**15A 125V**  
NEMA L1-15R  
UL Listed  
0.5 HP



## Accessories

Plug	HBL7545C
------	----------

## Resources

Customer Use Drawing  
eCatalog

Dimensions in Inches (mm)

Hubbell Wiring Device-Kellems • Hubbell Incorporated (Delaware) • 40 Waterview Drive • Shelton, CT 06484

Phone (800) 288-6000 • Fax (800) 255-1031 • Specifications subject to change without notice.

