

Twist-Lock® Devices 15A, 125V, 2 Pole, 2 Wire Non-Grounding Receptacle

HUBBELL

Features

- Thermoset construction offers high heat resistance
- High performance copper alloy contacts
- Corrosion resistant zinc plated steel one-piece mounting strap



15A 125V
NEMA L1-15R
UL Listed
0.5 HP



Ordering Information

Description	Device Color	UPC	Catalog Number
Single, flush, black phenolic.	Black	783585237596	HBL7535

Listings

Listed to UL 498
Certified to CSA C22.2 No.42

Specifications

Housing	Molded Thermoset
Contacts	Brass
Terminal Screws	Brass
Mounting Screw	Steel-zinc-plated

Performance

Electrical

Current Interrupting	Certified for current interrupting at full rated current
Dielectric Voltage	Withstands 2,000V minimum

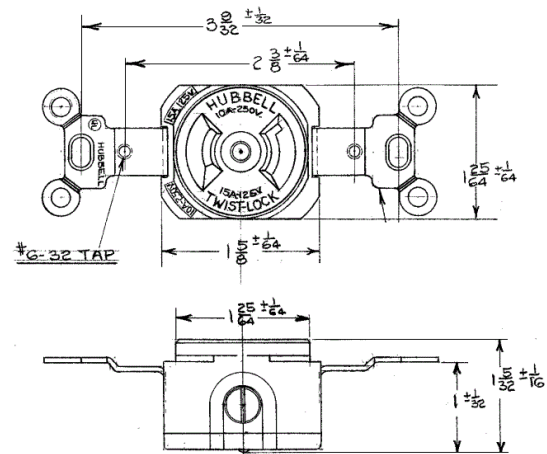
Mechanical

Terminal Accommodation	#18 AWG - #10 AWG solid or stranded copper wire only.
------------------------	---

Terminal Identification	Terminals identified in accordance with UL 498
-------------------------	--

Environmental

Flammability	HB or better per UL94/CSA 22.2 No.0.17
Operating Temperatures	Maximum Continuous 75°C; Minimum -40°C (w/o impact)



Accessories

Plug	HBL7545C
Wallplate or Weatherproof Cover	1.40" Boss Opening

Resources

Customer Use Drawing
eCatalog

Dimensions in Inches (mm)

Hubbell Wiring Device-Kellems • Hubbell Incorporated (Delaware) • 40 Waterview Drive • Shelton, CT 06484

Phone (800) 288-6000 • Fax (800) 255-1031 • Specifications subject to change without notice.

