

Non-NEMA Twist-Lock® Devices
 10A, 250V, 15A, 125V, 3 Pole, 3 Wire
 Non-Grounding
 Stainless Steel Flanged Receptacle

HUBBELL

Features

- Heat resistant thermoset construction
- Stainless steel casing
- #8-32 terminal screws
- Mounting screws included

Ordering Information

Description	Device Color	UPC	Catalog Number
Stainless steel casing, brown phenolic	Brown/Stainless	783585237664	HBL7557



Listings

Listed to UL 498
 Fed. Spec. W-C-596
 Certified to CSA C22.2 No.42

Specifications

Flange	Stainless steel
Blades	Brass
Terminal Screws	Brass
Mounting Screw	Nickel plated brass

Performance

Electrical

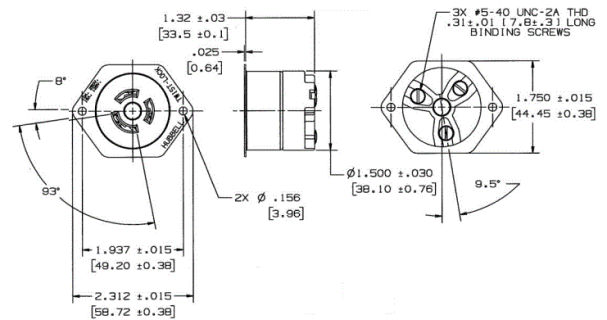
Current Interrupting	Certified for current interrupting at full rated current
Dielectric Voltage	Withstands 2,000V minimum

Mechanical

Terminal Accommodation	#18 AWG -#10 AWG solid or stranded copper wire only.
Terminal Identification	Terminals identified in accordance with UL 498

Environmental

Flammability	HB or better per UL94/CSA 22.2 No.0.17
Moisture Resistance	IP20 Suitability
Operating Temperatures	Maximum Continuous 75°C; Minimum -40°C (w/o impact)



Accessories

Plug	HBL7567C
------	----------

Resources

Customer Use Drawing
 eCatalog

Dimensions in Inches (mm)

Hubbell Wiring Device-Kellems • Hubbell Incorporated (Delaware) • 40 Waterview Drive • Shelton, CT 06484

Phone (800) 288-6000 • Fax (800) 255-1031 • Specifications subject to change without notice.

