

## Locking Devices

### 50A Twist-Lock

### 50A, Short Boot for Plug Device Boot

# HUBBELL

## Ordering Information

Color  
Yellow

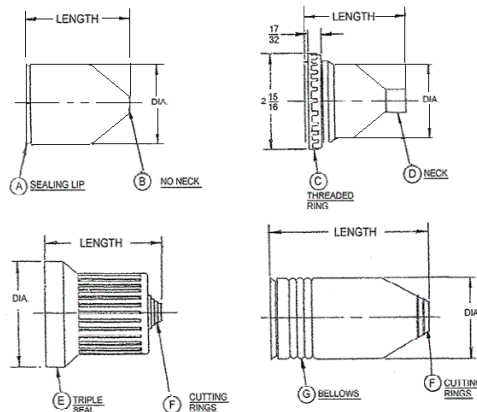
UPC  
783585808826

Catalog Number  
HBL77CM16

## Performance

Environmental  
Moisture Resistance

IP55 Suitability



CATALOG NO.	DIA.	LENGTH	COLOR	DETAILS
HBL60CM23	1 27/32	2 23/32	YELLOW	A-F
HBL60CM24	2 19/32	3 29/32	YELLOW	E-F
HBL60CM31V	2 5/16	3 15/32	YELLOW	A-F
HBL60CM32	3 1/32	4 13/16	YELLOW	E-F
HBL60CM32V	3 1/32	4 13/16	YELLOW	E-F
HBL60CM33V	3 1/8	2 5/16	YELLOW	C-F

CATALOG NO.	DIA.	LENGTH	COLOR	DETAILS
HBL7440V	1 3/8	1 7/8	BLACK	E-D
PH7440	1 3/8	1 7/8	YELLOW	A-B
PH7499	1 3/8	2 3/8	YELLOW	A-B
HBL77CM15	2 5/8	5 3/8	YELLOW	C-F-G
HBL77CM16	2 5/8	5 5/16	YELLOW	A-F-G
HBL77CM17	2 5/8	6 5/16	YELLOW	A-F-G

## Online Resources

Customer Sales Drawings  
eCatalog  
Installation Instructions

Dimensions in Inches (mm)

Hubbell Wiring Device-Kellems • Hubbell Incorporated (Delaware) • 40 Waterview Drive • Shelton, CT 06484

Phone (800) 288-6000 • Fax (800) 255-1031 • Specifications subject to change without notice.

