

Wallplates  
Weatherproof Covers for Receptacles

# HUBBELL

## For FS/FD Box Mounting

### Ordering Information

Description	Color	Catalog Number	UPC
2-gang, for receptacles with face diameters of 2.28-2.44" (57.9-62.0), wet and damp	Yellow	HBL77CM77A	783585809496

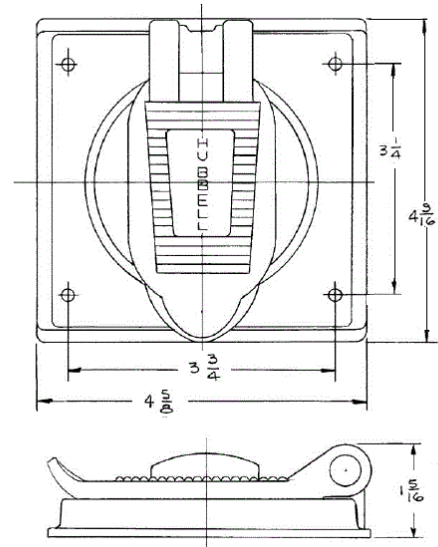


### Listings

UL Listed - Canadian and U.S.

### Specifications

Material	Thermoplastic
Gasket	Neoprene
Spring	Stainless steel
Mounting Screws	Stainless steel



### Online Resources

[Customer Use Drawing](#)  
[eCatalog](#)

Dimensions in Inches (mm)

Hubbell Wiring Device-Kellems • Hubbell Incorporated (Delaware) • 40 Waterview Drive • Shelton, CT 06484

Phone (800) 288-6000 • Fax (800) 255-1031 • Specifications subject to change without notice.

