

Switched Disconnects and Enclosures

40A 600V AC Manual Motor Controllers, Double Pole

HUBBELL

Features

- Thermoset body provides high resistance to electrical arc tracking
- Strong ON/OFF action with quick-make, slow break operation
- Optional Side Finger Guards for close wall applications and finger safe environments
- Four large silver alloy contacts per pole has excellent conductivity with maximum longevity
- Lubrication-free controller with continued ON/OFF cycling even in harsh, dust and high heat environments

Ordering Information

| Description | UPC Number | Catalog Number |
|--|--------------|----------------|
| 40A, double pole, single throw, AC manual motor controller, black nylon handle, side wired | 783585202846 | HBL7842D |

Listings

UL 508
CSA-C22.2 No.14

Specifications

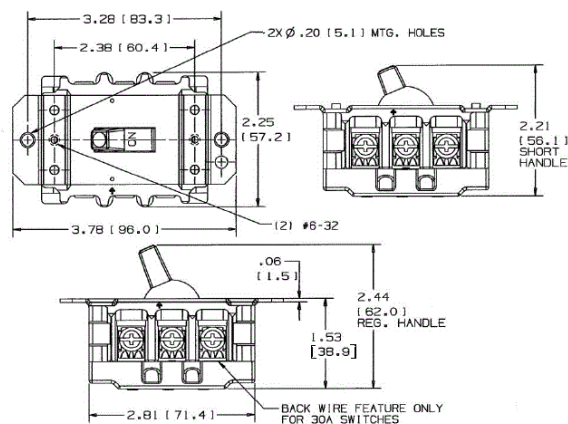
| | |
|----------------|--------------|
| Toggle Type | Standard |
| Housing | Thermoset |
| Terminal Screw | Brass |
| Contacts | Silver Alloy |

Performance

| Electrical | |
|--|--|
| Dielectric Voltage | 2,200V AC minimum for 1 minute |
| Electrical Life | Min. 6,000 Cycles at rated switch load |
| Max. Working Voltage | 600V AC RMS |
| Short Circuit Current Ratings (SCCR): (Motor Disconnect) | 60A max. when protected by J fuses |

| Mechanical | |
|-------------------------|-------------------------------------|
| Mechanical Life | 10,000 minimum cycles |
| Terminal Accommodations | #8 AWG Max. |
| Wire Type | Solid and stranded copper wire only |

| Environmental | |
|-----------------------|--|
| Flammability | UL94HB/VO |
| Operating Temperature | Max. Continuous: 75°C; Min. Continuous: -40°C without impact |



Complementary Products

Finger Guards HBLFG30

Online Resources

Customer Use Drawing
eCatalog
Installation Instructions

Dimensions in Inches (mm)

Hubbell Wiring Device-Kellems • Hubbell Incorporated (Delaware) • 40 Waterview Drive • Shelton, CT 06484

Phone (800) 288-6000 • Fax (800) 255-1031 • Specifications subject to change without notice.

