

## Straight Blade Devices

15A, 125V, 2 Pole, 3 Wire Grounding

# HBL<sup>®</sup> Extra Heavy Duty MAX Hospital Grade Duplex Receptacle

# HUBBELL

## Features

- Slender/compact design
- Impact-resistant finder groove face
- Triple wipe contacts
- Entire face illuminated by two LEDs

## Ordering Information

Description	Device Color	UPC Number	Catalog Number
Illuminated face, back and side wired.	Ivory	783585016450	HBL8200ILI

## Listings

UL Listed to UL498 File No. E2186  
NEMA<sup>®</sup> WD-6 Compliant  
CSA Certified  
Fed. Spec. W-C-596

## Specifications

Face	Polycarbonate
Base	PBT
By-Pass Power Contacts	.036". (.9) Nickel plated brass
Ground Contacts	.031 in. (.8) Brass
Clamp	Nickel plated steel
Terminal Screws	Brass
Mounting Strap	Brass
Automatic Self-grounding Clip	.050 in. (1.3) Nickel plated brass
Mounting Screws	Stainless Steel

## Performance

Electrical	
Current Interrupting	Certified for current interrupting at full rated current
Dielectric Voltage	Withstands 2,000V minimum

### Mechanical

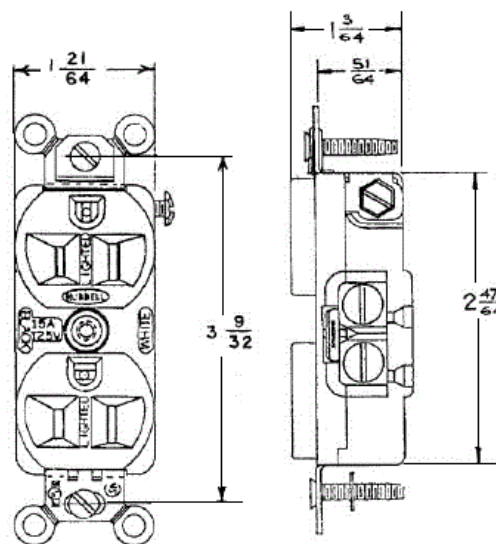
Product Identification	Ratings are a permanent part of the device
Terminal Accommodation	#14-#10 AWG stranded or solid copper wire only
Terminal Identification	Terminals identified in accordance with UL 498 and CSA

### Environmental

Flammability	UL 94V-2
Operating Temperatures	Maximum continuous 75°C; minimum -40°C (w/o impact)



15A 125V AC  
NEMA 5-15R  
UL CSA  
0.5 HP



## Complementary Products

Wallplate or Weatherproof Cover

Duplex Opening

## Online Resources

Customer Sales Drawings  
eCatalog  
Installation Instructions

Dimensions in Inches (mm)

Hubbell Wiring Device-Kellems • Hubbell Incorporated (Delaware) • 40 Waterview Drive • Shelton, CT 06484

Phone (800) 288-6000 • Fax (800) 255-1031 • Specifications subject to change without notice.

