

Straight Blade Devices

15A, 125V, 2 Pole, 3 Wire Grounding

HBL[®] Extra Heavy Duty MAX Hospital Grade Single Receptacle

HUBBELL

Features

- One-piece nickel-plated brass integral ground strap
- Patented bypass contact design

Ordering Information

Description	Device Color	UPC Number	Catalog Number
Back and side wired, finder groove face	White	783585016252	HBL8210W

Listings

UL Listed to UL498 File No. E2186
Certified to CSA, C22.2, No. 42 File 285
Fed. Spec. W-C-596
NEMA[®] WD-6 Compliant

Specifications

Face	Nylon
Base	PBT
Power Contacts	.037 in. (.9) Brass
Ground Contact	Nickel plated brass
Clamp	Nickel plated brass
Mounting Strap	.050 in. (1.3) Brass
Automatic Self-grounding Clip	Stainless steel
Mounting Screws	Stainless steel

Performance

Electrical	
Current Interrupting	Certified for current interrupting at full rated current
Dielectric Voltage	Withstands 2,000V minimum

Mechanical

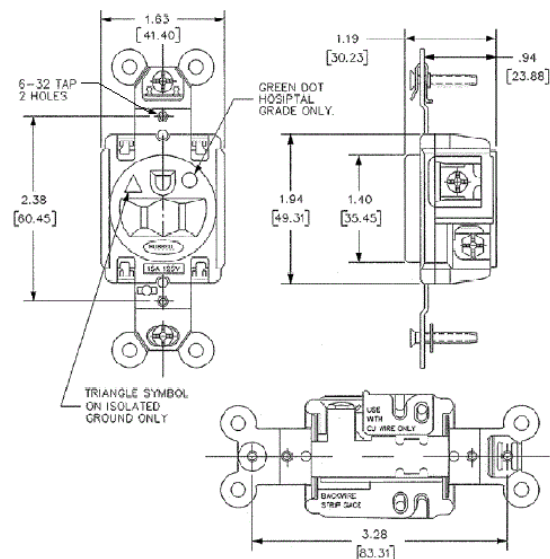
Product Identification	Ratings are a permanent part of the device
Terminal Accommodation	#14-#10 AWG copper stranded or solid conductor only
Terminal Identification	Terminals identified in accordance with UL 498 and CSA

Environmental

Flammability	Top: UL 94V-2, Base: UL 94V-0 and UL 94-5 VA
Operating Temperatures	Maximum continuous 75°C; minimum -40°C (w/o impact)



15A 125V AC
NEMA 5-15R
UL CSA
0.5 HP



Complementary Products

Wallplate or Weatherproof Cover	1.40" Opening
---------------------------------	---------------

Online Resources

Customer Sales Drawings
eCatalog
Installation Instructions

Dimensions in Inches (mm)

Hubbell Wiring Device-Kellems • Hubbell Incorporated (Delaware) • 40 Waterview Drive • Shelton, CT 06484

Phone (800) 288-6000 • Fax (800) 255-1031 • Specifications subject to change without notice.

