

Straight Blade Devices
20A, 125/250V, 3 Pole, 3 Wire Non-Grounding
Insulgrip® Plug

HUBBELL

Features

- Ribbed nylon housing is impact and chemical resistant
- Fast lead assembly screws
- Beveled housing prevents snagging

Ordering Information

Description	Cord Diameter	UPC	Catalog Number
Black and white nylon	.385"-.780"(9.8-19.8)	783585013121	HBL9977C



Listings

UL Listed to UL498 File E1706
CSA Certified to C22.2 No. 42 File 280
NEMA® WD-6 Compliant

Specifications

Housing/Cord Clamp	Nylon
Blade Holder	Nylon
Terminal Retainer	Clear Polycarbonate
Blades	.060 in. (1.5) Brass
Terminal Screws	Brass
Terminal Clamp	Nickel plated steel
Assembly Screws	Nickel plated steel

Performance

Electrical

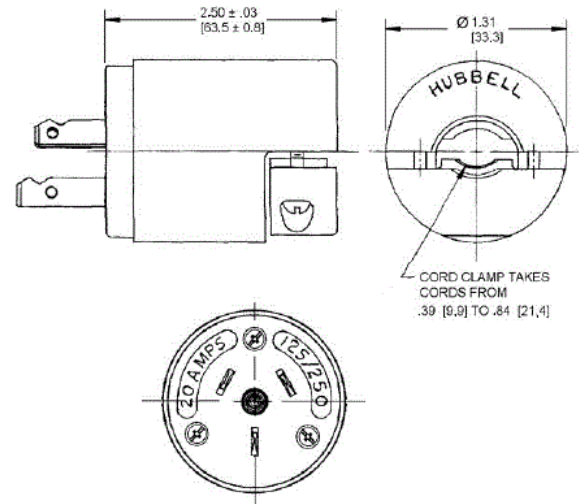
Current Interrupting	Certified for current interrupting at full rated current
Dielectric Voltage	Withstands 2,000V minimum

Mechanical

Cord Accommodation	.385"-.780"(9.8-19.8)
Terminal Accommodation	#18-10 AWG. Standed copper wire only
Terminal Identification	Terminals identified in accordance with UL498 and CSA (Brass, White, Green)

Environmental

Flammability	UL 94 V-2 or better
Operating Temperature	Maximum continuous 75°C; minimum – 40°C (w/o impact)



Resources

Customer Use Drawing
eCatalog

Dimensions in Inches (mm)

Hubbell Wiring Device-Kellems • Hubbell Incorporated (Delaware) • 40 Waterview Drive • Shelton, CT 06484

Phone (800) 288-6000 • Fax (800) 255-1031 • Specifications subject to change without notice.

