

Floor Boxes

Unloaded Raised Access Floor Boxes



Features

- Hinged cable egress port
- Pigtail terminates beneath raised floor
- Oversized opening provided with grommet for low-voltage



Ordering Information

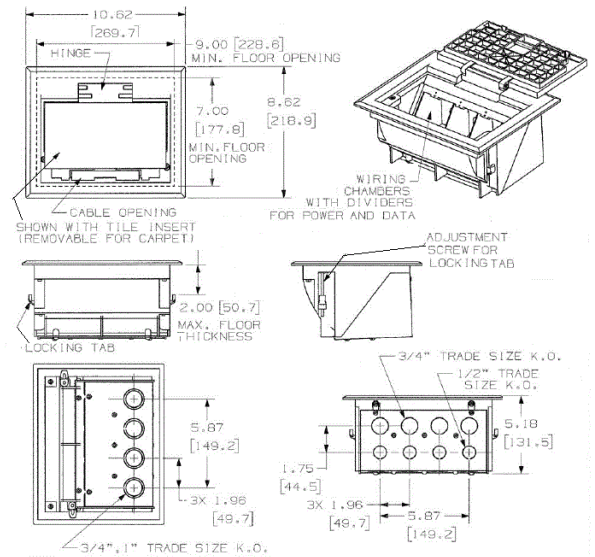
Description	Cover Color	UPC	Catalog Number
4-Gang Deep,	Black	783585313412	HBLAFB101BK

Listings

UL File #E197203
CSA File #LR702145

Specifications

Access Style	4-Gang
Material	Stamped Steel
Max. Floor Thickness	2.00" (50.8)
Cubic Capacity	22.5 cu. in. (368.7 cm ³)
Floor Tile Cut-Out	9.00" x 7.00"



Online Resources

- Customer Use Drawing
- eCatalog
- Installation Instructions

Dimensions in Inches (mm)

Hubbell Wiring Device-Kellems • Hubbell Incorporated (Delaware) • 40 Waterview Drive • Shelton, CT 06484

Phone (800) 288-6000 • Fax (800) 255-1031 • Specifications subject to change without notice.

