

Floor Boxes

Cover and Flange

HUBBELL



Ordering Information

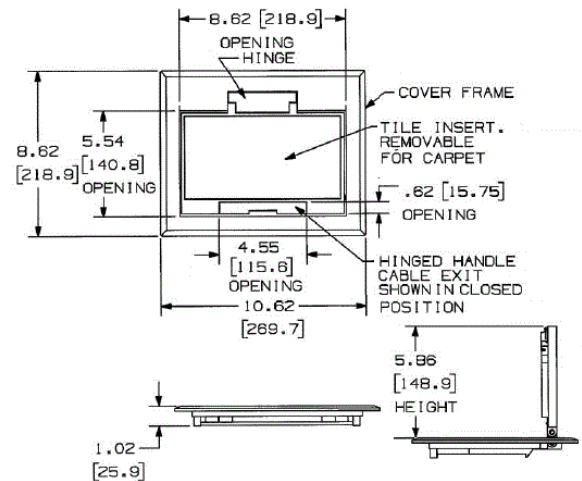
Description	Device Color	UPC	Catalog Number
Cover and Flange	Black	783585313436	HBLAFB101TCBK

Listings

UL File Number E31999
 CSA File Number LR702145

Specifications

Material	Steel
Floor Box Type	Steel Cover and Flange
Dimensions	7"W x 9"L



Online Resources

Customer Use Drawing
 eCatalog
 Installation Instructions

Dimensions in Inches (mm)

Hubbell Wiring Device-Kellems • Hubbell Incorporated (Delaware) • 40 Waterview Drive • Shelton, CT 06484

Phone (800) 288-6000 • Fax (800) 255-1031 • Specifications subject to change without notice.

