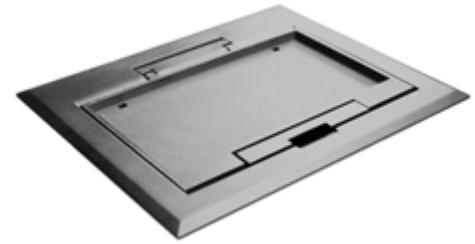


# Floor Boxes

## Cover and Flange

# HUBBELL



### Ordering Information

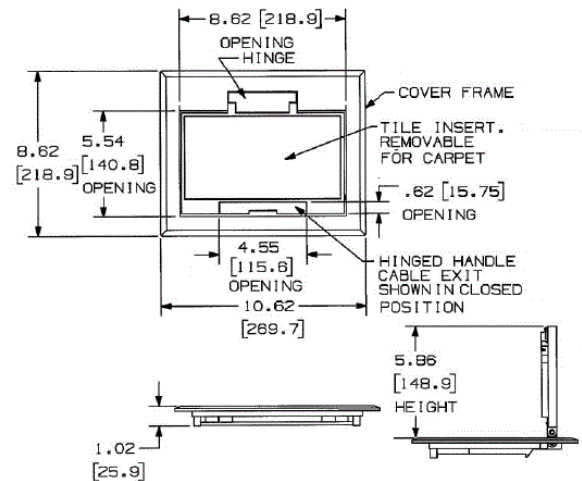
Description	Device Color	UPC	Catalog Number
Cover and Flange	Gray	783585313429	HBLAFB101TCGNT

### Listings

UL File Number E31999  
 CSA File Number LR702145

### Specifications

Material	Steel
Floor Box Type	Steel Cover and Flange
Dimensions	7"W x 9"L



### Online Resources

Customer Use Drawing  
 eCatalog  
 Installation Instructions

Dimensions in Inches (mm)

Hubbell Wiring Device-Kellems • Hubbell Incorporated (Delaware) • 40 Waterview Drive • Shelton, CT 06484

Phone (800) 288-6000 • Fax (800) 255-1031 • Specifications subject to change without notice.

