

Raceway
Aluminum Raceway
HBLALU2000 Series Base

HUBBELL

Features

- Single channel aluminum raceway
- 5 Feet
- Satin anodized finish
- Resists oxidation, corrosion and fading
- Can be installed as recessed or surface mounted



Ordering Information

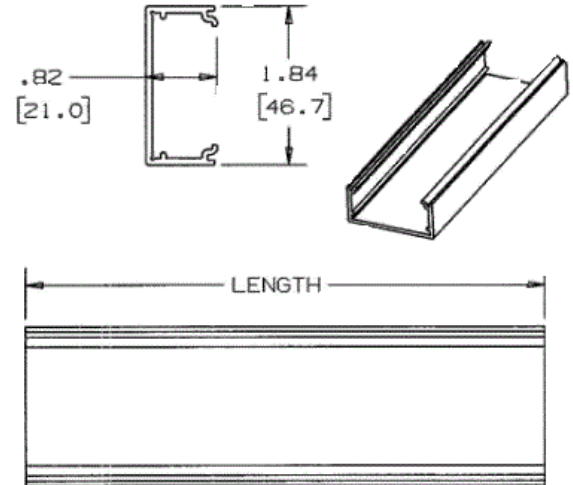
Description	Material	UPC Number	Catalog Number
Base	Anodized Aluminum	783585110547	HBLALU2000B5

Listings

UL Listed
CSA Certified

Specifications

Height	0.82"
Width	1.84"
Length	5'



Online Resources

Customer Use Drawing
eCatalog
Installation Instructions

Dimensions in Inches (mm)

Hubbell Wiring Device-Kellems • Hubbell Incorporated (Delaware) • 40 Waterview Drive • Shelton, CT 06484

Phone (800) 288-6000 • Fax (800) 255-1031 • Specifications subject to change without notice.

