

Raceway
Aluminum Raceway
HBLALU2000 Series Entrance End Fitting

HUBBELL

Features

- For feeding raceway, has concentric 1/2 in. NPT steel fitting.

Ordering Information

Description	Material	UPC Number	Catalog Number
Entrance End Fitting	Anodized Aluminum	783585110622	HBLALU2010A

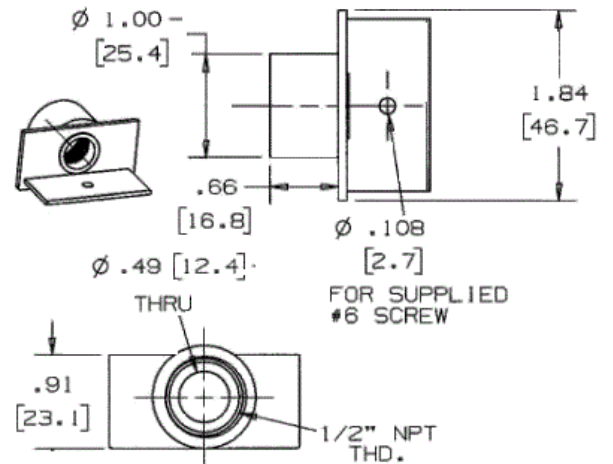


Listings

UL Listed
 CSA Certified

Specifications

Height	0.91"
Width	1.84"
Length	1.51"



Online Resources

Customer Use Drawing
 eCatalog
 Installation Instructions