

Raceway
Aluminum Raceway
HBLALU2000 Series Internal Elbow

HUBBELL

Features

- For making a 90° internal turn in a raceway run.
- HBLALU2001 couplings included

Ordering Information

Description	Material	UPC Number	Catalog Number
Internal Elbow	Anodized Aluminum	783585110660	HBLALU2017

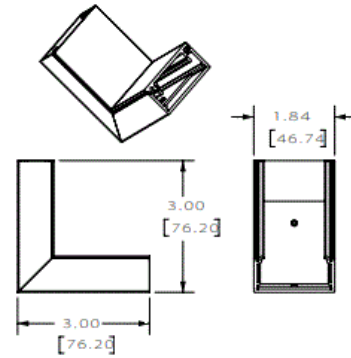


Listings

UL Listed
CSA Certified

Specifications

Height	0.82"
Width	3.0"
Length	3.0"



Online Resources

Customer Use Drawing
eCatalog
Installation Instructions

Dimensions in Inches (mm)

Hubbell Wiring Device-Kellems • Hubbell Incorporated (Delaware) • 40 Waterview Drive • Shelton, CT 06484

Phone (800) 288-6000 • Fax (800) 255-1031 • Specifications subject to change without notice.

