

Raceway
Aluminum Raceway
HBLALU2000 Series External Elbow

HUBBELL

Features

- For making a 90° external turn in a raceway run
- HBLALU2001 couplings included

Ordering Information

Description	Material	UPC Number	Catalog Number
External Elbow	Anodized Aluminum	783585110677	HBLALU2018

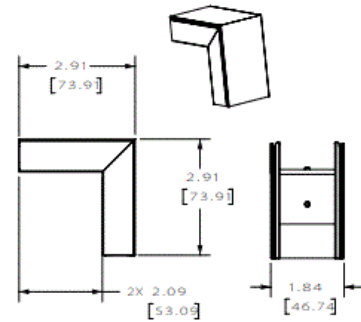


Listings

UL Listed
CSA Certified

Specifications

Height	0.82"
Width	2.91"
Length	2.91"



Online Resources

Customer Use Drawing
eCatalog
Installation Instructions

Dimensions in Inches (mm)

Hubbell Wiring Device-Kellems • Hubbell Incorporated (Delaware) • 40 Waterview Drive • Shelton, CT 06484

Phone (800) 288-6000 • Fax (800) 255-1031 • Specifications subject to change without notice.

