

Raceway
 Aluminum Raceway
 HBLALU2000 Series In-Line Switch Fitting

HUBBELL

Features

- To install switch
- (Switch sold separately).

Ordering Information

Description	Material	UPC Number	Catalog Number
In-Line Switch Fitting	Anodized Aluminum	783585110691	HBLALU2040A

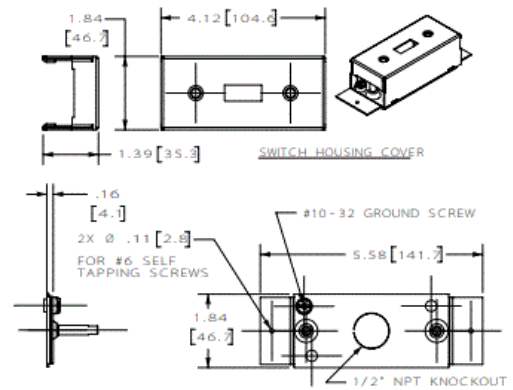


Listings

UL Listed
 CSA Certified

Specifications

Height	1.84"
Width	4.21"
Length	1.84"



Online Resources

Customer Use Drawing
 eCatalog
 Installation Instructions

Dimensions in Inches (mm)

Hubbell Wiring Device-Kellems • Hubbell Incorporated (Delaware) • 40 Waterview Drive • Shelton, CT 06484

Phone (800) 288-6000 • Fax (800) 255-1031 • Specifications subject to change without notice.

