

Raceway
Aluminum Raceway
HBLALU2000 Series 2-Gang Device Box

HUBBELL

Features

- For standard switches and receptacles.

Ordering Information

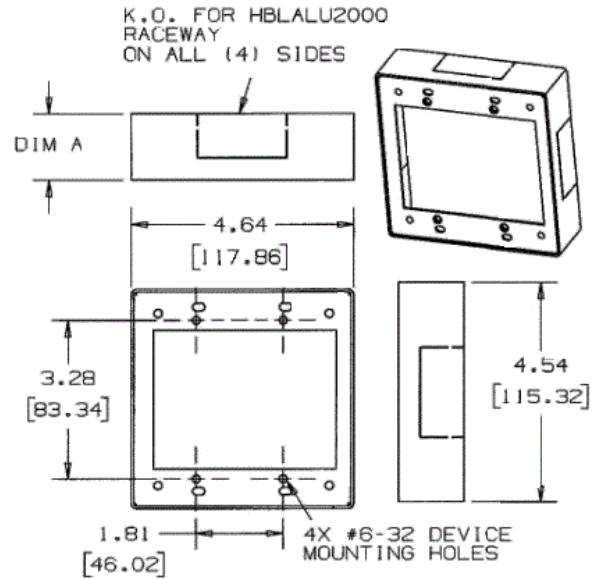
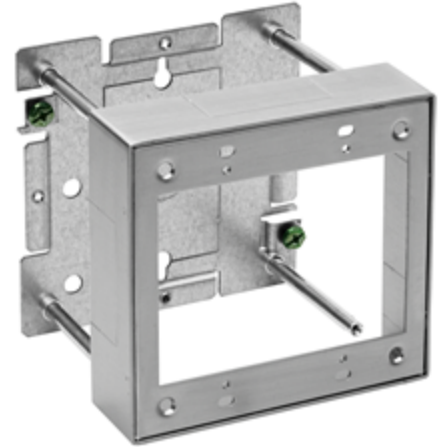
Description	Material	UPC Number	Catalog Number
2-Gang Device Box	Anodized Aluminum	783585110738	HBLALU20472

Listings

UL Listed
CSA Certified

Specifications

Height	4.54"
Width	4.64"
Length	1.38"



Online Resources

Customer Use Drawing
eCatalog
Installation Instructions

Dimensions in Inches (mm)

Hubbell Wiring Device-Kellems • Hubbell Incorporated (Delaware) • 40 Waterview Drive • Shelton, CT 06484

Phone (800) 288-6000 • Fax (800) 255-1031 • Specifications subject to change without notice.

