

Raceway
Aluminum Raceway
HBLALU5000 Series Two Channel Cover

HUBBELL

Features

- Satin anodized finish
- Packed 40 ft. (12.19m) per carton, 10 ft. (3m) lengths.

Ordering Information

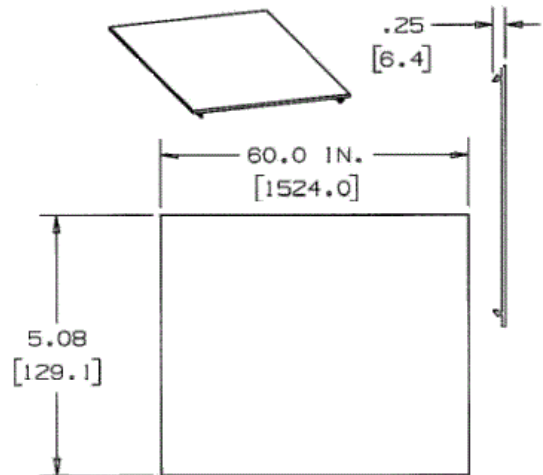
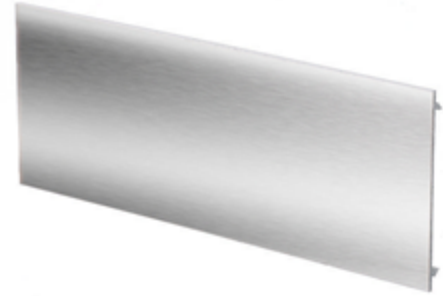
Description	Material	UPC Number	Catalog Number
Two Channel Cover	Anodized Aluminum	783585110783	HBLALU2C57

Listings

UL Listed
CSA Certified

Specifications

Height	1.66"
Width	5.08"
Length	5'



Online Resources

Customer Use Drawing
eCatalog
Installation Instructions

Dimensions in Inches (mm)

Hubbell Wiring Device-Kellems • Hubbell Incorporated (Delaware) • 40 Waterview Drive • Shelton, CT 06484

Phone (800) 288-6000 • Fax (800) 255-1031 • Specifications subject to change without notice.

