

Raceway
Aluminum Raceway
HBLALU3800 and HBLALU4800 Series
Single Receptacle Cover

HUBBELL

Features

- Base Mounted Device
- For single receptacle with face diameter of 2.13 in. (54.10).

Ordering Information

Description	Material	UPC Number	Catalog Number
Single Receptacle Cover	Anodized Aluminum	783585113494	HBLALU34JBM

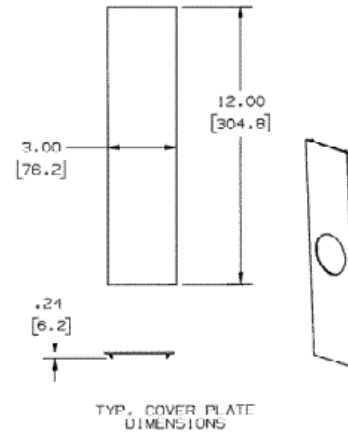


Listings

UL Listed
CSA Certified

Specifications

Height	3.00"
Width	12.00"
Length	0.20"



Online Resources

Customer Use Drawing
eCatalog
Installation Instructions

Dimensions in Inches (mm)

Hubbell Wiring Device-Kellems • Hubbell Incorporated (Delaware) • 40 Waterview Drive • Shelton, CT 06484

Phone (800) 288-6000 • Fax (800) 255-1031 • Specifications subject to change without notice.

