

Raceway  
Aluminum Raceway  
HBLALU3800 Series Internal Elbow

# HUBBELL

## Features

- For making a 90° internal turn in a raceway run.
- HBLALU5701 couplings included.
- See page R-44 for cover plates.

## Ordering Information

Description	Material	UPC Number	Catalog Number
Internal Elbow	Anodized Aluminum	783585218700	HBLALU3817

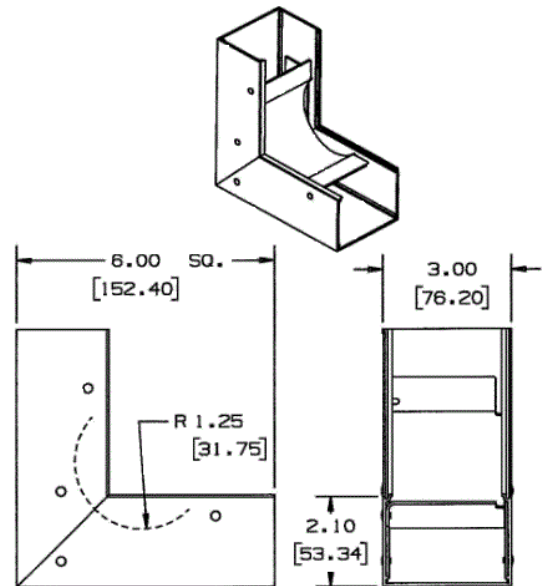


## Listings

UL Listed  
CSA Certified

## Specifications

Height	2.10"
Width	6.00"
Length	6.00"



## Online Resources

Customer Use Drawing  
eCatalog  
Installation Instructions

Dimensions in Inches (mm)

Hubbell Wiring Device-Kellems • Hubbell Incorporated (Delaware) • 40 Waterview Drive • Shelton, CT 06484

Phone (800) 288-6000 • Fax (800) 255-1031 • Specifications subject to change without notice.

