

Raceway
Aluminum Raceway
HBLALU4800 Series Two Channel External
Elbow

HUBBELL

Features

- For making a 90° external turn in a raceway run.
- HBLALU5701 couplings included.
- See page R-44 for cover plates.

Ordering Information

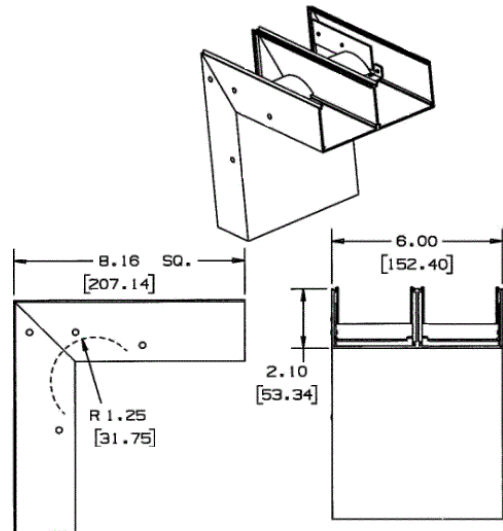
Description	Material	UPC Number	Catalog Number
External Elbow	Anodized Aluminum	783585218823	HBLALU4818

Listings

UL Listed
CSA Certified

Specifications

Height	2.10"
Width	6.00"
Length	6.00"



Online Resources

Customer Use Drawing
eCatalog
Installation Instructions

Dimensions in Inches (mm)

Hubbell Wiring Device-Kellems • Hubbell Incorporated (Delaware) • 40 Waterview Drive • Shelton, CT 06484

Phone (800) 288-6000 • Fax (800) 255-1031 • Specifications subject to change without notice.

