

**Raceway**  
**Aluminum Raceway**  
**HBLALU5000 Series Two Channel Base**

# HUBBELL

### Features

- Satin anodized finish
- Packed 40 ft. (12.19m) per carton, 10 ft. (3m) lengths.
- Available in Pre-Wired Raceway

### Ordering Information

Description	Material	UPC Number	Catalog Number
Two Channel Base	Anodized Aluminum	783585110769	HBLALU5000B10

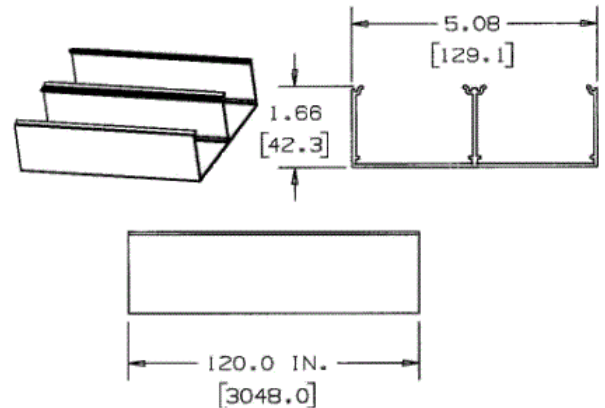


### Listings

UL Listed  
CSA Certified

### Specifications

Height	1.66"
Width	5.08"
Length	10'



### Online Resources

[Customer Use Drawing](#)  
[eCatalog](#)  
[Installation Instructions](#)

Dimensions in Inches (mm)

Hubbell Wiring Device-Kellems • Hubbell Incorporated (Delaware) • 40 Waterview Drive • Shelton, CT 06484

Phone (800) 288-6000 • Fax (800) 255-1031 • Specifications subject to change without notice.

