

**Raceway**  
**Aluminum Raceway**  
**HBLALU5000 Series Inverted Internal**  
**Elbow**

# HUBBELL

**Features**

- For connecting a vertical run of HBLALU5000 with a horizontal run with its cover facing up.
- HBLALU5701 couplings included.
- See page R-44 for cover plates.

**Ordering Information**

Description	Material	UPC Number	Catalog Number
Inverted Internal Elbow	Anodized Aluminum	783585110899	HBLALU5017N

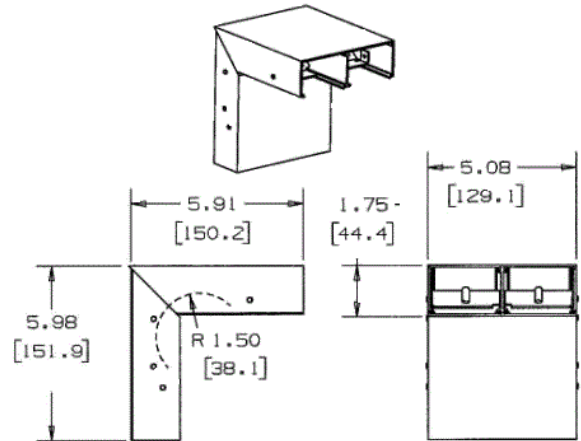


**Listings**

UL Listed  
 CSA Certified

**Specifications**

Height	1.66"
Width	5.91"
Length	5.98"



**Online Resources**

Customer Use Drawing  
 eCatalog  
 Installation Instructions

Dimensions in Inches (mm)

Hubbell Wiring Device-Kellems • Hubbell Incorporated (Delaware) • 40 Waterview Drive • Shelton, CT 06484

Phone (800) 288-6000 • Fax (800) 255-1031 • Specifications subject to change without notice.

