

**Raceway**  
**Aluminum Raceway**  
**HBLALU5000 Series Internal Elbow**

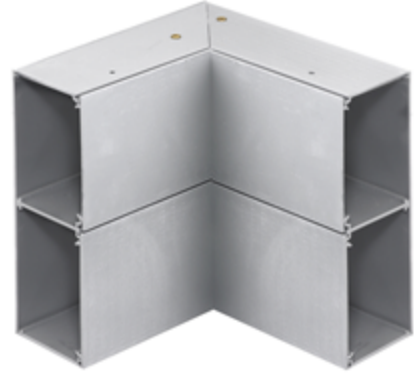
**HUBBELL**

**Features**

- For making a 90° internal turn in a raceway run.
- HBLALU5701 couplings included.
- See page R-44 for cover plates.

**Ordering Information**

Description	Material	UPC Number	Catalog Number
Internal Elbow	Anodized Aluminum	783585110875	HBLALU5017

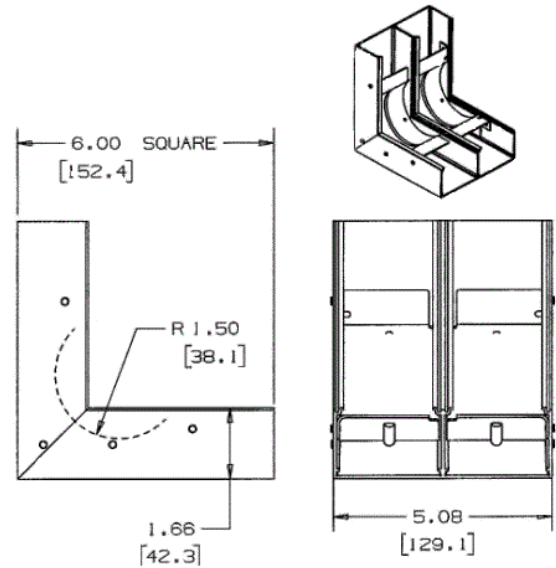


**Listings**

UL Listed  
 CSA Certified

**Specifications**

Height	1.66"
Width	6.00"
Length	6.00"



**Online Resources**

Customer Use Drawing  
 eCatalog  
 Installation Instructions

Dimensions in Inches (mm)

Hubbell Wiring Device-Kellems • Hubbell Incorporated (Delaware) • 40 Waterview Drive • Shelton, CT 06484

Phone (800) 288-6000 • Fax (800) 255-1031 • Specifications subject to change without notice.

