

Raceway
Aluminum Raceway
HBLALU7620 Series Flat Elbow

HUBBELL

Features

- For making a 90° flat turn in a raceway run.
- HBLALU5701 couplings included.
- See page R-44 for cover plates.

Ordering Information

Description	Material	UPC Number	Catalog Number
Flat Elbow Cover	Anodized Aluminum	783585111094	HBLALU7611

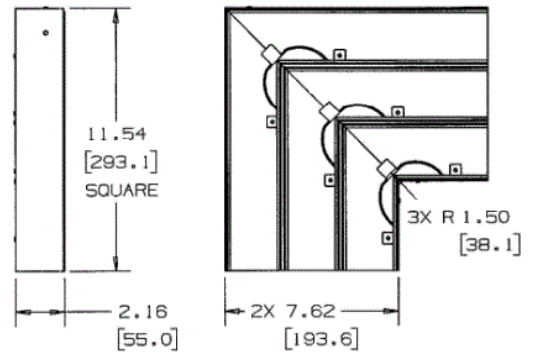
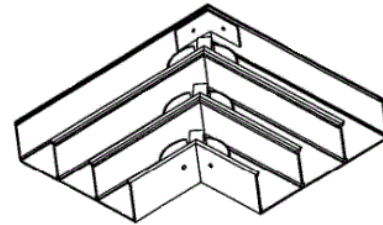


Listings

UL Listed
CSA Certified

Specifications

Height	2.16"
Width	11.54"
Length	11.54"



Online Resources

Customer Use Drawing
eCatalog
Installation Instructions

Dimensions in Inches (mm)

Hubbell Wiring Device-Kellems • Hubbell Incorporated (Delaware) • 40 Waterview Drive • Shelton, CT 06484

Phone (800) 288-6000 • Fax (800) 255-1031 • Specifications subject to change without notice.

