

Raceway
Aluminum Raceway
HBLALU7620 Series Three Channel Base

HUBBELL

Features

- Satin anodized finish
- Packed 40 ft. (12.19m) per carton, 10 ft. (3m) lengths.
- Available in Pre-Wired Raceway

Ordering Information

Description	Material	UPC Number	Catalog Number
Three Channel Base	Anodized Aluminum	783585111056	HBLALU7620B10

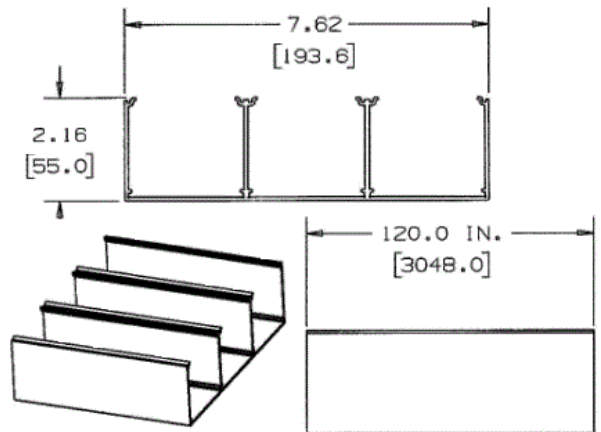


Listings

UL Listed
CSA Certified

Specifications

Height	2.16"
Width	7.62"
Length	10'



Online Resources

Customer Use Drawing
eCatalog
Installation Instructions

Dimensions in Inches (mm)

Hubbell Wiring Device-Kellems • Hubbell Incorporated (Delaware) • 40 Waterview Drive • Shelton, CT 06484

Phone (800) 288-6000 • Fax (800) 255-1031 • Specifications subject to change without notice.

