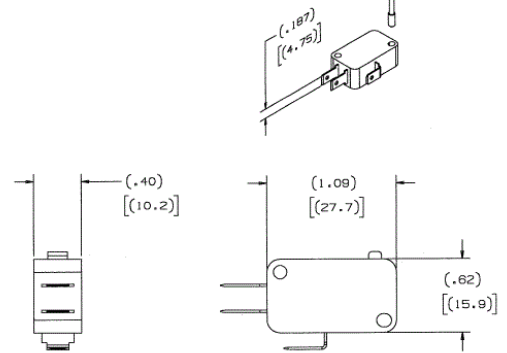




Ordering Information

Description	UPC Number	Catalog Number
Auxiliary Contacts, NO/Common/NC, for use in rotary switches only	783585503981	HBLAUX

TORQUE 3 TO 5 LB. IN.



Complementary Products

Switches	HBL13S33D; HBL13X33D; HBL16S63D; HBL16X63D
----------	---

Online Resources

- Customer Use Drawing
- eCatalog
- Installation Instructions