

Cord Reels

Commercial Lighted Cord Reels

HUBBELL

Features

- Automatic shut off switch in cord reel
- Desired cord length automatically maintained through positive latch mechanism
- Constructed of durable corrosion-resistant steel

Ordering Information

Description

White Reel with non-metallic incandescent hand lamp and automatic shut off switch.

UPC Number
783585190082

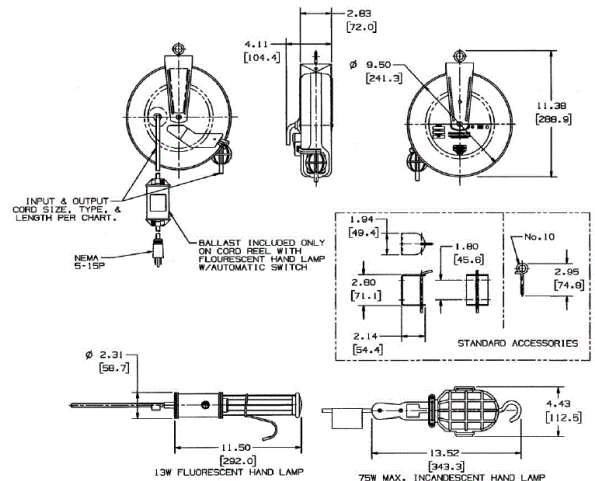
Catalog Number
HBLC25163AIN

Listings

CSA
ETL
UL

Specifications

Amperage	0.6
Volts AC	125
Cable Length Feet (m)	25 (7.6)
Cable Type	#16/3 SJT
Watts (Max)	75
Weight Lbs. (kg)	9.0 (4.1)



Online Resources

Customer Sales Drawings
eCatalog
Installation Instructions

Dimensions in Inches (mm)

Hubbell Wiring Device-Kellems • Hubbell Incorporated (Delaware) • 40 Waterview Drive • Shelton, CT 06484

Phone (800) 288-6000 • Fax (800) 255-1031 • Specifications subject to change without notice.

