

Cord Reels

Commercial Lighted Cord Reels

HUBBELL

Features

- Inline receptacle located on hand lamp
- Desired cord length automatically maintained through positive latch mechanism
- Constructed of durable corrosion-resistant steel

Ordering Information

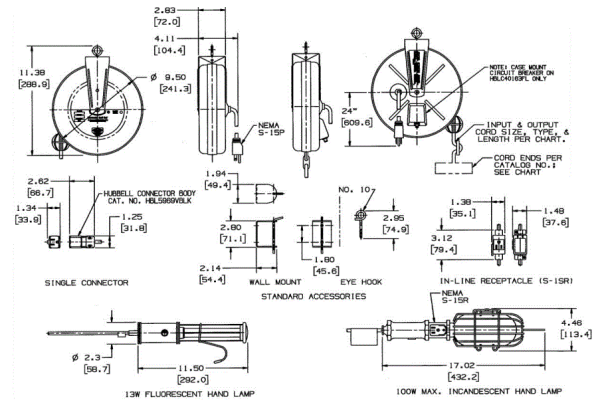
Description	UPC Number	Catalog Number
White Reel with fluorescent hand lamp and in-line receptacle	783585524863	HBLC40163FL

Listings

CSA
ETL
UL

Specifications

Amperage	10
Volts AC	120
Cable Length Feet (m)	40 (12.2)
Cable Type	#16/3 SJT
Watts (Max)	1200
Weight Lbs. (kg)	9.0 (4.1)



Online Resources

Customer Sales Drawings
eCatalog
Installation Instructions

Dimensions in Inches (mm)

Hubbell Wiring Device-Kellems • Hubbell Incorporated (Delaware) • 40 Waterview Drive • Shelton, CT 06484

Phone (800) 288-6000 • Fax (800) 255-1031 • Specifications subject to change without notice.

