

Cord Reels

Commercial Lighted Cord Reels

HUBBELL

Features

- Automatic shut off switch in cord reel
- Desired cord length automatically maintained through positive latch mechanism
- Constructed of durable corrosion-resistant steel

Ordering Information

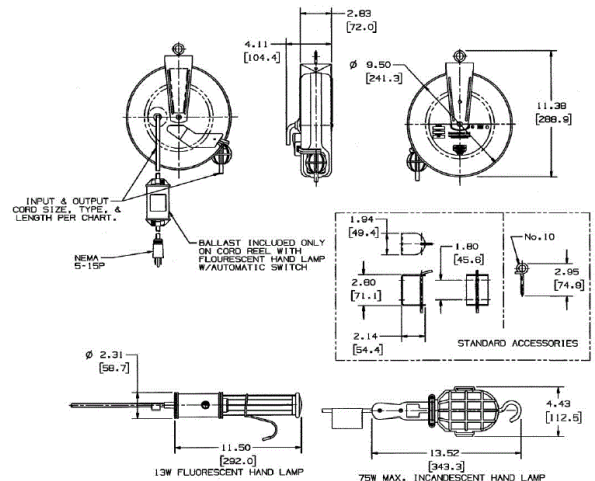
Description	UPC Number	Catalog Number
White Reel with fluorescent hand lamp and automatic shut off switch.	783585524856	HBLC40182AFL

Listings

CSA
ETL
UL

Specifications

Amperage	0.3
Volts AC	120
Cable Length Feet (m)	40 (12.2)
Cable Type	#18/2 SJTOW
Watts (Max)	13
Weight Lbs. (kg)	8.2 (3.7)



Online Resources

Customer Sales Drawings
eCatalog
Installation Instructions

Dimensions in Inches (mm)

Hubbell Wiring Device-Kellems • Hubbell Incorporated (Delaware) • 40 Waterview Drive • Shelton, CT 06484

Phone (800) 288-6000 • Fax (800) 255-1031 • Specifications subject to change without notice.

