

# Floor Boxes

## 4-Gang

### Recessed Concrete Floor Boxes



#### Features

- Stamped steel construction
- Concentric knockouts permit various conduit sizes
- Economical and light weight for above-grade applications



#### Ordering Information

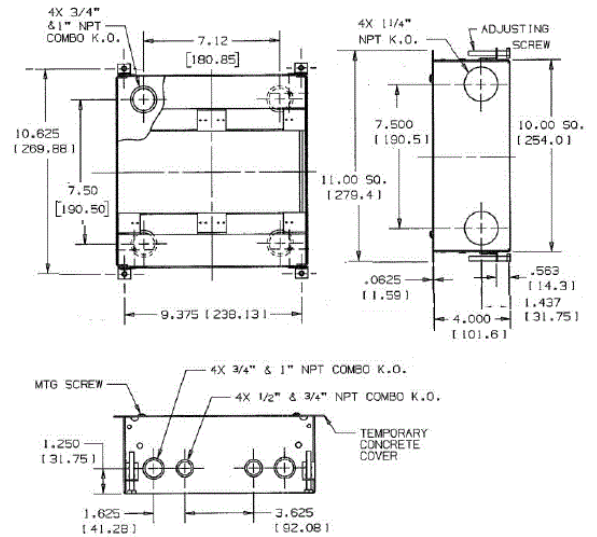
Description	Device Color	UPC	Catalog Number
4-Gang Deep,	Steel	783585040776	HBLCFB301BASE

#### Listings

UL File Number E197203  
CSA File Number LR702145

#### Specifications

Material	Stamped Steel
Size	4-Gang
Min. Depth of Pour	4.25" (107.6)
Wiring Chamber Capacity	29.5 cu. in. (483.4 cm <sup>3</sup> )



#### Online Resources

- Customer Use Drawing
- eCatalog
- Installation Instructions