

Switched Disconnects and Enclosures

Stainless Steel Circuit-Lock[®] Unfused Switched Disconnect Enclosures

Suitable as Motor Disconnects

Features

- Formed in nonporous 304 stainless steel
- IP69k and Type 4X, 12K water ingress protection
- Certified by NSF for hygiene in food processing applications
- Highly visible red handle which meets OSHA Lockout/Tagout capabilities
- Accepts up to 2 Auxiliary contacts

Ordering Information

| Description | UPC Number | Catalog Number |
|--|--------------|----------------|
| 30A Square Top disconnect switch with HBLAC1 auxiliary contact | 783585242743 | HBLDS3SSAC |

Listings

cULus Listed
NSF Certified

Specifications

| | |
|-------------------------|------------------------------------|
| Enclosure: Base and Top | #14 Gauge Type 304 Stainless Steel |
| Handle | PBT |
| Conduit Hub | 3/4 in. Zinc |
| Enclosure Gasket | Neoprene |
| Enclosure Screws | Stainless Steel |
| Shaft (Unfused) | PBT |
| Shaft Seal | Molded Neoprene |

Performance

| Electrical | |
|--|---|
| Current Interrupting | Certified for current interrupting at full rated current and voltage |
| Dielectric Voltage | Withstands 3000V AC minimum |
| Max. Working Voltage | 600V AC RMS |
| Short Circuit Current Ratings (SCCR): (Motor Disconnect) | Suitable for use on a circuit capable of delivering not more than 65kA RMS symmetrical, 600V AC max. when protected by Class J fuses rated 30A max. |

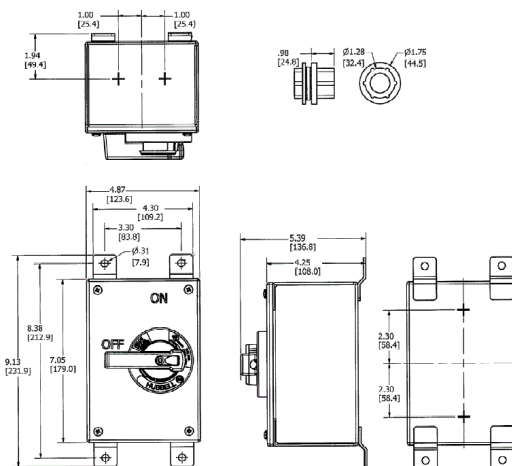
Mechanical

| | |
|-------------------------|--|
| Impact Resistance | In accordance with UL 746C |
| Mounting | Feet are fixed |
| Terminal Identification | In accordance with UL, CSA and international conventions |

Environmental

| | |
|-----------------------|---|
| Flammability | UL94-5VA and V0 Classification |
| Moisture Resistance | Indoor and Outdoor – Type 4X (Wash down, Corrosion resistant); Indoor – Type 12 (Dust-tight, Falling Dirt, Noncorrosive Liquids). |
| Operating Temperature | Max. Continuous: 75°C; Min. Continuous: -40°C without impact |
| UV Resistance | All materials are UV stabilized |

HUBBELL



Complementary Products

| | |
|---------------------------|------------|
| Replacement Covers | HBLDS3SSRC |
| Replacement Ground Block | HBL30RGB |
| Replacement Neutral Block | HBL30RNB |
| Replacement Switches | HBLDS3RS |

Online Resources

Customer Use Drawing
eCatalog
Installation Instructions

Dimensions in Inches (mm)

Hubbell Wiring Device-Kellems • Hubbell Incorporated (Delaware) • 40 Waterview Drive • Shelton, CT 06484

Phone (800) 288-6000 • Fax (800) 255-1031 • Specifications subject to change without notice.

