

Switched Disconnects and Enclosures

MotorQuick® Disconnect Switches

Type 4X Stainless Steel Enclosure 30A 3 Pole 600V AC

HUBBELL

Features

- Formed in nonporous 304 stainless steel
- IP69k and Type 4X, 12K water ingress protection
- Labelless markings on the cover
- Lockable Handle to Meet OSHA Lockout/Tagout Regulations
- Cable Ratings:
TC-ER, MTW, STOOV

Ordering Information

Description	UPC Number	Catalog Number
HBLDS3SS with 5 foot pre-wired LINKOSITY® female cable (load side), Square Top	783585372617	HBLDS3SSMQ5

Listings

UL50B; UL746C
IP67

Specifications

Enclosure	High Impact PBT
Contact Materials	Pins - brass; Sockets - leaded nickel copper w/ stainless steel sleeve
Cable (16 AWG and Up)	UL 600V Type TC-ER, MTW 90°C or STOOV 600V 105°C

Performance

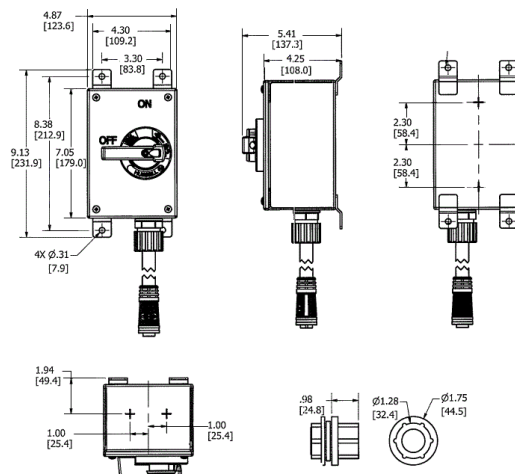
Electrical	
Dielectric Voltage	2,200V AC minimum for 1 minute
Electrical Life	6,000 cycles with load
Max. Working Voltage	600V AC RMS
Short Circuit Current Ratings (SCCR): (Motor Disconnect)	30: Suitable for use on a circuit capable of delivering not more than 10kA RMS symmetrical, 600V AC max

Mechanical

Impact Resistance	UL746C
Mechanical Life	10,000 minimum cycles
Terminal Accommodations	#14 AWG - #10 AWG

Environmental

Flammability	UL94HB/V-0
Operating Temperature	Max. Continous: 60°C; Min. Continuous: -40°C without impact



Complementary Products

3P 4W LINKOSITY® male receptacle	RM3004PA001
3P 4W LINKOSITY® female receptacle	RF3004PA001

Cord connector	SHC1037CR
Lock-on cover	PH2030C

Online Resources

Customer Use Drawing
eCatalog
Installation Instructions

Dimensions in Inches (mm)

Hubbell Wiring Device-Kellems • Hubbell Incorporated (Delaware) • 40 Waterview Drive • Shelton, CT 06484

Phone (800) 288-6000 • Fax (800) 255-1031 • Specifications subject to change without notice.

