

inSIGHT
Circuit-Lock Disconnect
with LED Indicators

Features

- Six highly visible integral phase identification LEDs for use on 3 Phase Y system
- Secondary confirmation of isolation of power
- Certified by NSF
- Integral jog switch allows communication to a PLC
- Accepts up to 2 Auxiliary contacts

Ordering Information

| Description | UPC Number | Catalog number |
|---------------------------------------|--------------|----------------|
| SS Disc, 60A, LED & Jog, 4X Rep Cover | 783585640419 | HBLDS6SSRCPJ |

Listings

cULus Listed
 NSF

Specifications

| | |
|-------------------------|-------------------------------|
| Environmental rating | UL Witnessed IP69K, 4X and 12 |
| Enclosure: Base and Top | 304 Stainless Steel |
| Handle | PBT |
| Conduit Hub | 1 1/4" Zinc |
| Enclosure Gasket | Neoprene |
| Frame | Galvanized Steel |
| Enclosure Screws | Stainless Steel 300 Series |
| Shaft (Unfused) | PBT |
| Shaft Seal | Molded Neopren |
| LED Lense | PC |

Performance

| Electrical | |
|--|--|
| Current Interrupting | Certified for current interrupting at full rated current and voltage |
| Dielectric Voltage | Withstands 3000V AC minimum |
| Max. Working Voltage | 600V AC RMS |
| Short Circuit Current Ratings (SCCR): (Motor Disconnect) | (SCCR): (Motor Disconnect) Suitable for use on a circuit capable of delivering not more than 65kA RMS symmetrical, 600V AC max. when protected by Class J fuses rated 30A max. |

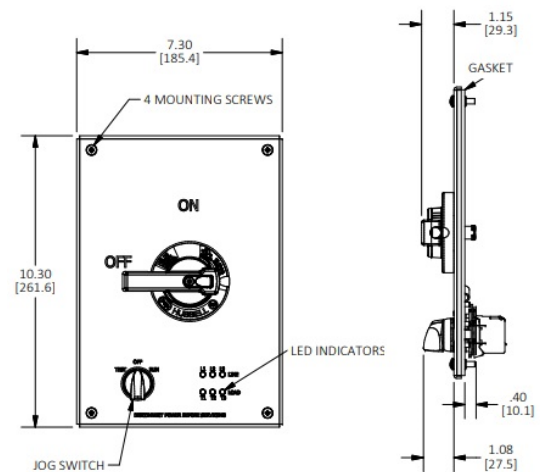
Mechanical

| | |
|-------------------------|--|
| Impact Resistance | In accordance with UL 746C |
| Mounting | External fully adjustable feet |
| Terminal Identification | In accordance with UL, CSA and international conventions |

Environmental

| | |
|-----------------------|---|
| Flammability | UL94-5VA and V0 Classification |
| Moisture Resistance | Indoor and Outdoor – Type 4X (Wash down, Corrosion resistant); Indoor – Type 12 (Dust-tight, Falling Dirt, Noncorrosive Liquids). |
| Operating Temperature | Max. Continuous: 75°C; Min. Continuous: -40°C without impact |

HUBBELL



Complementary Products

| | |
|---|----------|
| "Break After Main" 1NO & 1 NC Aux Contact | HBLAC1 |
| "Break Before Main" 1NO Aux Contact | HBLAC2 |
| 1 1/4" Stainless Steel Conduit Hub | HUB125SS |

Online Resources

Customer Use Drawing
 eCatalog
 Installation Instructions

Dimensions in Inches (mm)

Hubbell Wiring Device-Kellems • Hubbell Incorporated (Delaware) • 40 Waterview Drive • Shelton, CT 06484

Phone (800) 288-6000 • Fax (800) 255-1031 • Specifications subject to change without notice.

