

inSIGHT
Circuit-Lock Disconnect
with LED Indicators

Features

- Six highly visible integral phase identification LEDs for use on 3 Phase Y system
- Secondary confirmation of isolation of power
- Certified by NSF
- Integral jog switch allows communication to a PLC
- 15 degree sloped top support hygenic design

Ordering Information

Description	UPC Number	Catalog number
SS Sloped Disc, 60A Jog, 4X Rep Cover	783585640433	HBLDS6SSRRCJ

Listings

cULus Listed
 NSF

Specifications

Environmental rating	UL Witnessed IP69K, 4X and 12
Enclosure: Base and Top	PBT
Handle	PBT
Conduit Hub	1 1/4" Zinc
Enclosure Gasket	Neoprene
Frame	Galvanized Steel
Enclosure Screws	Stainless Steel 300 Series
Shaft (Unfused)	PBT
Shaft Seal	Molded Neopren
LED Lense	PC

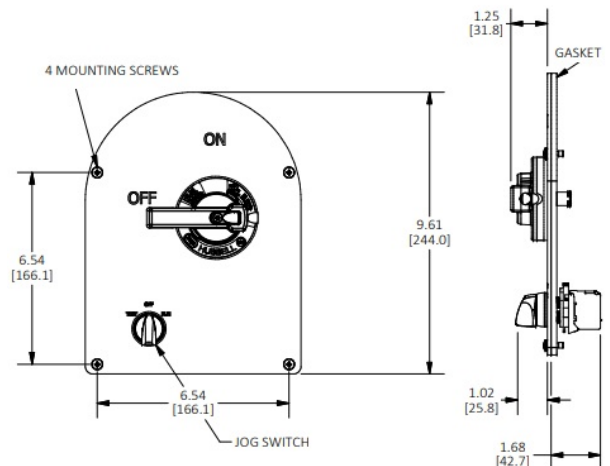
Performance

Electrical	
Current Interrupting	Certified for current interrupting at full rated current and voltage Withstands 3000V AC minimum
Dielectric Voltage	600V AC RMS
Max. Working Voltage	(SCCR): (Motor Disconnect) Suitable for use on a circuit capable of delivering not more than 65kA RMS symmetrical, 600V AC max. when protected by Class J fuses rated 30A max.
Short Circuit Current Ratings (SCCR): (Motor Disconnect)	

Mechanical	
Impact Resistance	In accordance with UL 746C
Mounting	External fully adjustable feet
Terminal Identification	In accordance with UL, CSA and international conventions

Environmental	
Flammability	UL94-5VA and V0 Classification
Moisture Resistance	Indoor and Outdoor – Type 4X (Wash down, Corrosion resistant); Indoor – Type 12 (Dust-tight, Falling Dirt, Noncorrosive Liquids).
Operating Temperature	Max. Continuous: 75°C; Min. Continuous: -40°C without impact

HUBBELL



Complementary Products

"Break After Main" 1NO & 1 NC Aux Contact	HBLAC1
"Break Before Main" 1NO Aux Contact	HBLAC2
1 1/4" Stainless Steel Conduit Hub	HUB125SS

Online Resources

Customer Use Drawing
 eCatalog
 Installation Instructions

Dimensions in Inches (mm)

Hubbell Wiring Device-Kellems • Hubbell Incorporated (Delaware) • 40 Waterview Drive • Shelton, CT 06484

Phone (800) 288-6000 • Fax (800) 255-1031 • Specifications subject to change without notice.

