

Single Pole Devices and Temporary Power  
Series 16 - 300 and 400A, 600V AC/DC  
Replacement Bodies

# HUBBELL

## Ordering Information

Description	Device Color	UPC Number	Catalog Number
Replacement Female Body	Red	783585112534	HBLFBR

## Listings

UL and cUL Listed  
UL Enclosure Types 3R, 4X, 12  
UL 498 and UL1691

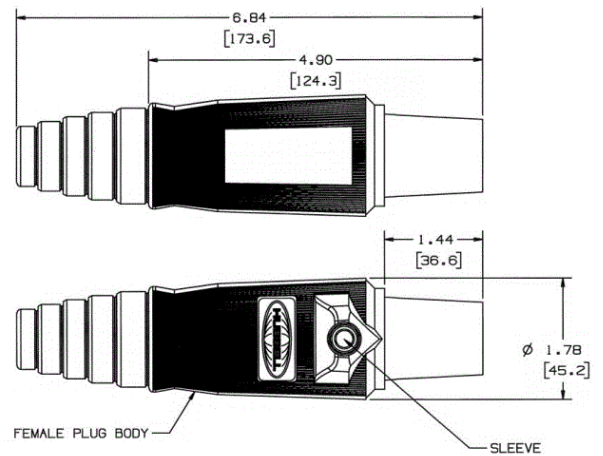
## Specifications

Product Type	Accessories
Accessory Item	Replacement Parts
Body Material	Thermoplastic Elastomer
Contact Material	Brass
Retaining Screw Material	Nylon

## Performance

Electrical	
Amperage Rating	400A Maximum
Voltage Rating	600V AC/DC Maximum

Mechanical	
Product Identification	Ratings are a permanent part of the device



## Online Resources

Customer Sales Drawings  
eCatalog  
Installation Instructions

Dimensions in Inches (mm)

Hubbell Wiring Device-Kellems • Hubbell Incorporated (Delaware) • 40 Waterview Drive • Shelton, CT 06484

Phone (800) 288-6000 • Fax (800) 255-1031 • Specifications subject to change without notice.

