

Cable, Cord and Hose Reels

Air/Water Hose Reels

HUBBELL

Features

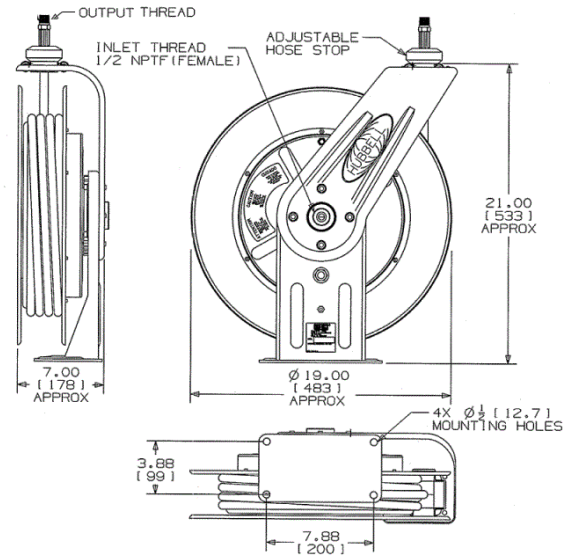
- Spring rewind and ratchet lock
- Multi-position four roller guide and adjustable hose stop
- Full flow shafts and swivels assure maximum product delivery

Ordering Information

Description	UPC Number	Catalog Number
Low pressure 1/2" ID	783585243672	HBLHR5050

Specifications

Cable Length Feet (m)	50 (15.2)
Max Pressure Psi	300
Frame Size	E
Input Hose Fitting (NPTF)	3/8
O.D. Inch (mm)	0.77 (19.6)
Weight Lbs. (kg)	44 (20.0)



Online Resources

Customer Sales Drawings
eCatalog
Installation Instructions

Dimensions in Inches (mm)

Hubbell Wiring Device-Kellems • Hubbell Incorporated (Delaware) • 40 Waterview Drive • Shelton, CT 06484

Phone (800) 288-6000 • Fax (800) 255-1031 • Specifications subject to change without notice.

