

## Wire Management Products

### Cord and Cable Reels

### Industrial Power Cord Reels

# HUBBELL

#### Features

- Durable, Corrosion Resistant Cast Aluminum Construction
- UL Type 1
- Multi-Position Guide Arm can be mounted in two different positions
- Positive Latch mechanism automatically maintains desired cord length
- Ratchet Lock can be disengaged in field for constant tension applications

#### Ordering Information

**Description**  
White Industrial Reel with Yellow Box, GFCI Module and (1) 20A Duplex Receptacle, UL Type 1, 25 Ft., #12/3 SJO, 20 A, 125 VAC

**UPC Number**  
783585586267

**Catalog Number**  
HBLI25123GF20

#### Listings

cULus Listed

#### Specifications

Spool	Aluminum
Guide Frame	Thermoplastic
Cord	Copper
Internal Terminals	Copper Alloy
Ball Stopper	Thermoplastic
Fitting	Aluminum

#### Performance

##### Amperage

20 A

##### Max. Working Voltage

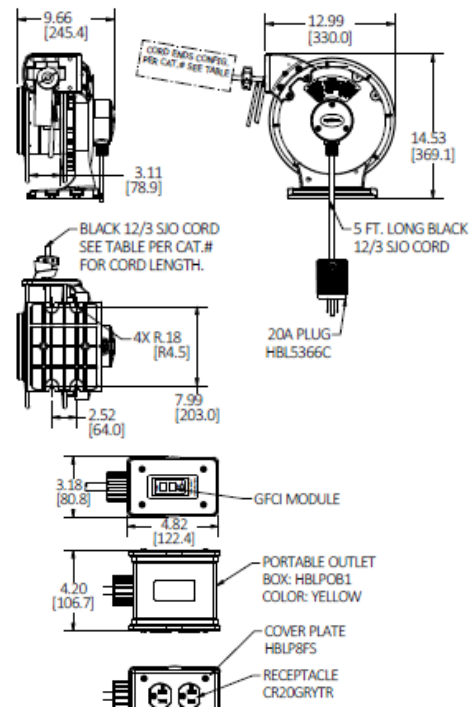
125V AC

##### Moisture Resistance

Dry, Indoor, Non-Hazardous Locations - UL Type 1

##### Number of Wires

3-Wire



#### Related Products

Pivot Base	HBLI340PB
Mounting Bracket	HBLIMB
Ball Stop	HBLI12BS

#### Online Resources

Customer Drawing  
Customer Sales Drawings  
eCatalog  
Installation/Instruction Manual

Dimensions in Inches (mm)

Hubbell Wiring Device-Kellems • Hubbell Incorporated (Delaware) • 40 Waterview Drive • Shelton, CT 06484

Phone (800) 288-6000 • Fax (800) 255-1031 • Specifications subject to change without notice.

