

**Features**

- Durable, Corrosion Resistant Cast Aluminum Construction
- UL Type 1
- Multi-Position Guide Arm can be mounted in two different positions
- Positive Latch mechanism automatically maintains desired cord length
- Ratchet Lock can be disengaged in field for constant tension applications

**Ordering Information**

**Description**  
 White Industrial Reel with Black Box, GFCI Module and (2) 15A Duplex Receptacle , UL Type 1, 25 Ft , #14/3 SJO, 15 A, 125 VAC

**UPC Number** 783585669717  
**Catalog Number** HBLI25143GF215M1

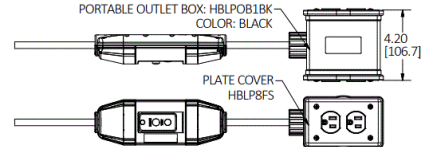
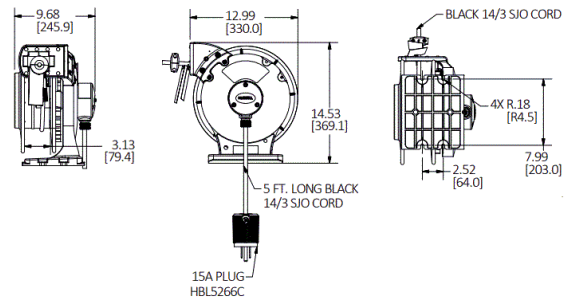


**Listings**

cULus Listed

**Specifications**

Spool	Aluminum
Guide Frame	Thermoplastic
Cord	Copper
Internal Terminals	Copper Alloy
Ball Stopper	Thermoplastic
Fitting	Aluminum



**Performance**

**Amperage**  
 15 A

**Max. Working Voltage**  
 125V AC

**Moisture Resistance**  
 Dry, Indoor, Non-Hazardous Locations - UL Type 1

**Number of Wires**  
 3-Wire

**Related Products**

Pivot Base	HBLI340PB
Mounting Bracket	HBLIMB
Ball Stop	HBLI16BS

**Online Resources**

- Customer Drawing
- Customer Sales Drawings
- eCatalog
- Installation/Instruction Manual