

Temporary Lighting
 Temporary Industrial Lighting
 LED Worklights



Features

- Easy, portable LED light fixture
- 120% LED efficiency
- Wire cage and Polycarbonate lens design for durability

Ordering Information

High Bay LED light with wire guard	Yellow frame	UPC	Catalog Number
		78358546897	HBLLEDHB120

Listings

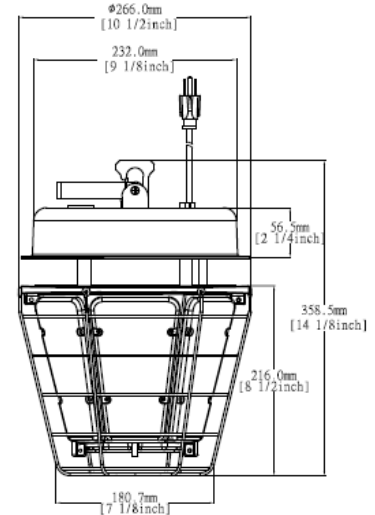
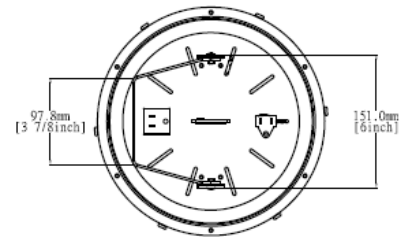
UL Listed
 cUL

Specifications

Light Type	LED
Plug type	NEMA 5-15P

Performance

Electrical	
Lamp life	50,000 hours
Mechanical	
Height	16"
Width	
10"	Depth



Complementary Products

Wallplate or Weatherproof Cover Duplex Opening

Online Resources

eCatalog

Dimensions in Inches (mm)

Hubbell Wiring Device-Kellems • Hubbell Incorporated (Delaware) • 40 Waterview Drive • Shelton, CT 06484

Phone (800) 288-6000 • Fax (800) 255-1031 • Specifications subject to change without notice.

