

Single Pole Devices and Temporary Power

Series 16 - 300 and 400A, 600V AC/DC

Tri-Tap T Connector

HUBBELL

Ordering Information

Description	Device Color	UPC Number	Catalog Number
Tri-Tap Connector (Male-Female-Female-Female)	Red	783585112800	HBLM3FR

Listings

UL 498 and UL1691
UL Enclosure Types 3R, 4X, 12

Specifications

Product Type	T's" and Tri-Taps
Tee and Tap Type	Tri-Tap
Body Material	Thermoplastic Elastomer
Contact Material	Brass

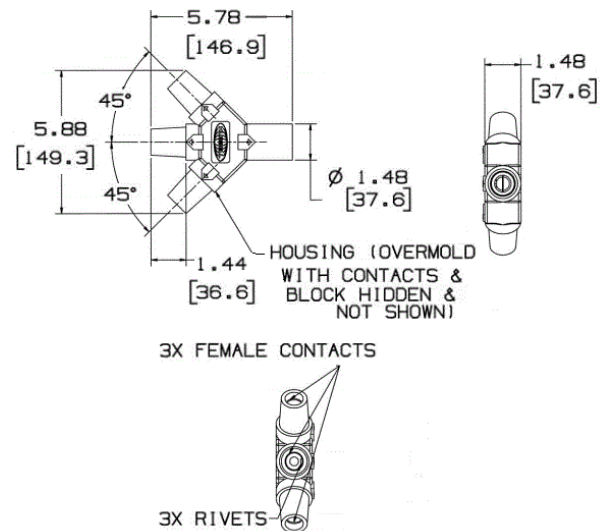
Performance

Electrical

Amperage Rating	400A Maximum
Voltage Rating	600V AC/DC Maximum

Mechanical

Product Identification	Ratings are a permanent part of the device
------------------------	--



Online Resources

Customer Sales Drawings
eCatalog
Installation Instructions

Dimensions in Inches (mm)

Hubbell Wiring Device-Kellems • Hubbell Incorporated (Delaware) • 40 Waterview Drive • Shelton, CT 06484

Phone (800) 288-6000 • Fax (800) 255-1031 • Specifications subject to change without notice.

