

Single Pole Devices and Temporary Power
Series 16 - 300 and 400A, 600V AC/DC
Replacement Bodies

HUBBELL

Ordering Information

| Description | Device Color | UPC Number | Catalog Number |
|-----------------------|--------------|--------------|----------------|
| Replacement Male Body | Brown | 783585112848 | HBLMBBN |

Listings

UL and cUL Listed
 UL Enclosure Types 3R, 4X, 12
 UL 498 and UL1691

Specifications

| | |
|--------------------------|-------------------------|
| Product Type | Accessories |
| Accessory Item | Replacement Parts |
| Body Material | Thermoplastic Elastomer |
| Contact Material | Brass |
| Retaining Screw Material | Nylon |

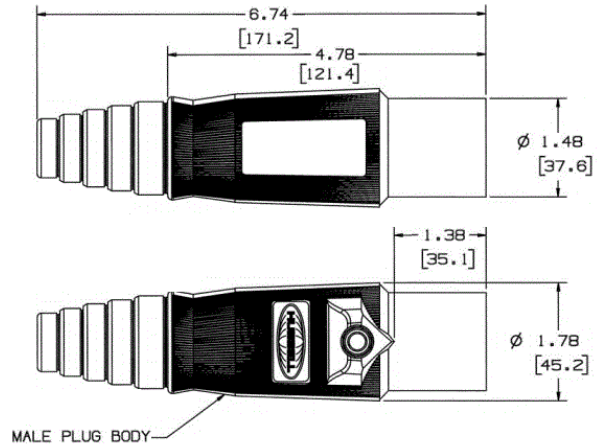
Performance

Electrical

| | |
|-----------------|--------------------|
| Amperage Rating | 400A Maximum |
| Voltage Rating | 600V AC/DC Maximum |

Mechanical

| | |
|------------------------|--|
| Product Identification | Ratings are a permanent part of the device |
|------------------------|--|



Online Resources

- Customer Sales Drawings
- eCatalog
- Installation Instructions

Dimensions in Inches (mm)

Hubbell Wiring Device-Kellems • Hubbell Incorporated (Delaware) • 40 Waterview Drive • Shelton, CT 06484

Phone (800) 288-6000 • Fax (800) 255-1031 • Specifications subject to change without notice.

