

Single Pole Devices and Temporary Power
 Series 16 - 300 and 400A, 600V AC/DC
 Replacement Bodies

HUBBELL

Ordering Information

Description	Device Color	UPC Number	Catalog Number
Replacement Male Body	White	783585112886	HBLMBW

Listings

UL and cUL Listed
 UL Enclosure Types 3R, 4X, 12
 UL 498 and UL1691

Specifications

Product Type	Accessories
Accessory Item	Replacement Parts
Body Material	Thermoplastic Elastomer
Contact Material	Brass
Retaining Screw Material	Nylon

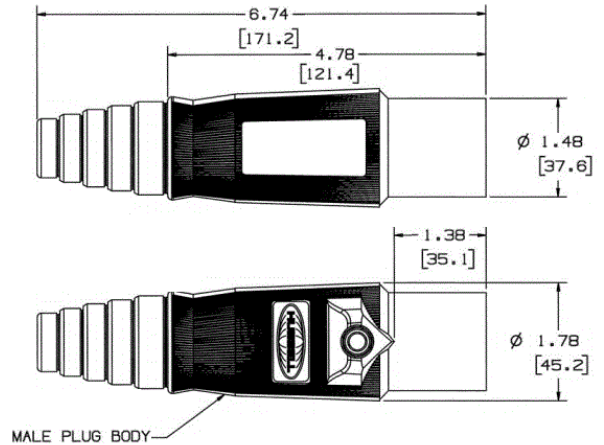
Performance

Electrical

Amperage Rating	400A Maximum
Voltage Rating	600V AC/DC Maximum

Mechanical

Product Identification	Ratings are a permanent part of the device
------------------------	--



Online Resources

Customer Sales Drawings
 eCatalog
 Installation Instructions

Dimensions in Inches (mm)

Hubbell Wiring Device-Kellems • Hubbell Incorporated (Delaware) • 40 Waterview Drive • Shelton, CT 06484

Phone (800) 288-6000 • Fax (800) 255-1031 • Specifications subject to change without notice.

